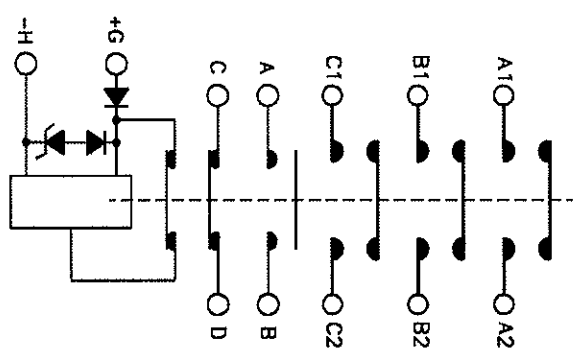


REV.	DESCRIPTION	DATE	APPROVED
G	40714 FIND 5 WAS W7070BBS	99-10-27	RS
H	46114 REMOVED *LOCATION OPTIONAL* FROM VENT CALL OUT	01/11/14	CC
J	0349-03 ITEM 3 WAS N7038DBO	03/03/21	CC



CONSTRUCTION
 MAIN CONTACTS
 CONFIGURATION
 VOLTAGE (NOMINAL)
 CURRENT/RESISTIVE
 CURRENT/INDUCTIVE
 INDUCTIVE

GASKET SEALED AND VENTED
 3PST N.O. DOUBLE BREAK
 440 VAC 400 HZ
 75 AMPS
 75 AMPS

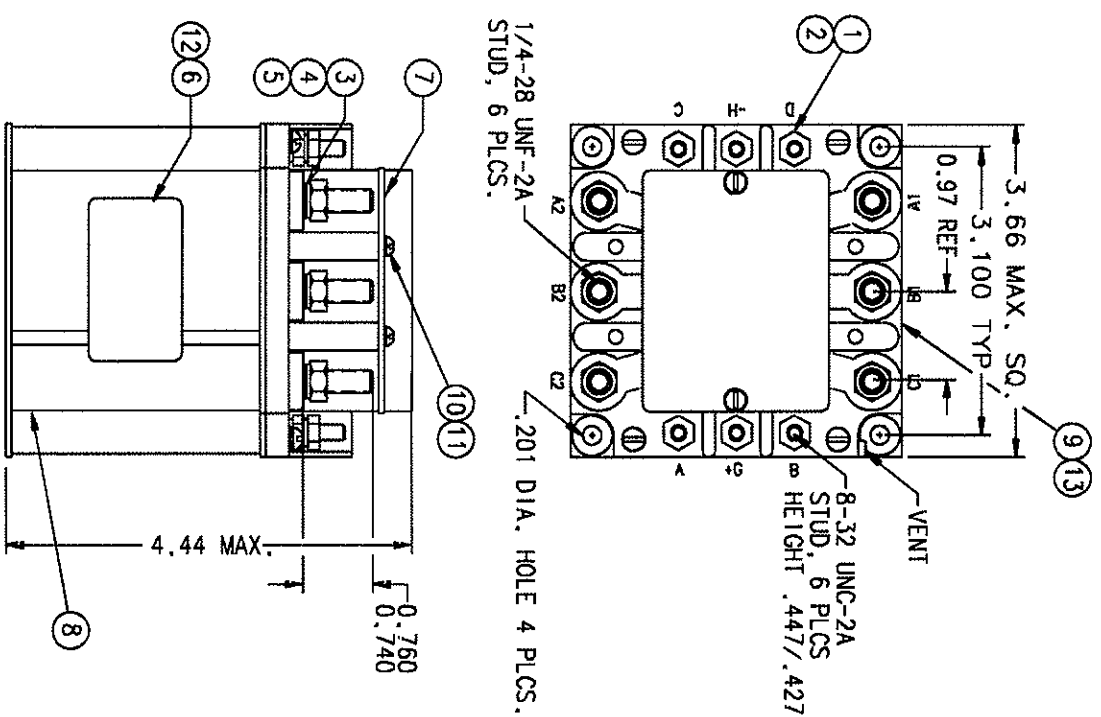
AUXILIARY CONTACTS
 CONFIGURATION
 VOLTAGE
 CURRENT/RESISTIVE
 CURRENT/INDUCTIVE
 INDUCTIVE

COIL DATA
 DUTY CYCLE
 NOMINAL VOLTAGE
 MAX. VOLTAGE
 TRANSIENT SUPPRESSION
 PICKUP VOLTAGE
 DROPOUT VOLTAGE
 COIL RESISTANCE AT 25°C

OPERATE TIMES
 PICK UP
 DROP OUT
 ENVIRONMENTAL
 OPERATING TEMPERATURE
 ALTITUDE OPERATING
 VIBRATION
 SHOCK

LIFE
 ELECTRICAL
 MECHANICAL

WEIGHT
 50,000 CYCLES MINIMUM
 100,000 CYCLES MINIMUM
 3.0 POUNDS MAXIMUM



NOTE: ITEM 7 REMOVED IN TOP VIEW FOR CLARITY

ITEM NO.	QTY	RECD	IDENTIFYING NO.	PART OR IDENTIFYING NO.	NAME/DESCRIPTION OR DESCRIPTION	CASE NO.	DRAWING OR SPECIFICATION	MATERIAL OR NOTE
13	1			39529-009	OVERLAY			
12	1			39529-001	OVERLAY			
11	4			L4SPLOS0	LOCKWASHER #4 SPLIT			
10	4			S4037BS0	SCREW 4-40 X 3/8			
9	1			44834-002	WIRING DIAGRAM			
8	1			SAT36A10	PRIMARY ASSEMBLY			
7	2			1S025001	TERMINAL SHIELD			
6	1			16043-001	NAME PLATE			
5	6			51703070	WASHER 1/2 X 17/64 X .031			
4	6			L7SPLOS0	LOCKWASHER 1/4 SPLIT			
3	6			N7038DBN	NUT 1/4-28 X 3/8			
2	6			L8SPLOS0	LOCKWASHER #8 SPLIT			
1	6			N8025J50	NUT 8-32 X 1/4			

UNLESS OTHERWISE SPECIFIED DIMENSIONS ARE IN INCHES		
2 PL. DEC.	3 PL. DEC.	ANGLES
*.06	*.010	*.1*
DIR BY	CSC	03/04/11
CHK BY	VC	03/09/11
ENGR	BY	03/09/11
MFG	BY	03/09/11
SIZE	CODE	IDENT
C		74063
SCALE NONE SHEET		
TYCO Electronics 175 W. BROAD STREET WAST'IELD, OHIO 44092		
CONTACTOR - 3PST N.O. 75 AMP, 440 VAC, 400 HZ		
DWG NO. SA136A		
REF TYCO P/N 0-1616021-6		